



Profit from the Eagle Advantage®

Specification Sheet

Short Form Specifications

All stainless steel type 430 enclosed cabinet. Three adjustable shelves on 4" centers, 24"-deep by 36"- or 48"-long. Available with slanted top for laminar flow.



#VSC2436-3 vertical storage cabinet

Options / Accessories

- 5" plate casters w/brake (factory-installed) *
- Additional 36"-long shelves
- Additional 48"-long shelves

* To order casters, add suffix "-CPB5". Example: VSC2436-3-CPB5

EAGLE GROUP
100 Industrial Boulevard, Clayton, DE 19938-8903 USA
Phone: 302-653-3000 • Fax: 302-653-2065
www.eaglegrp.com

Foodservice Division: Phone 800-441-8440
MHC/Retail Display Divisions: Phone 800-637-5100

For custom configuration or fabrication needs, contact our **SpecFAB® Division**.
 Phone: 302-653-3000 • Fax: 302-653-3091 • e-mail: specfab@eaglegrp.com

Item No.:	_____
Project No.:	_____
S.I.S. No.:	_____

Vertical Storage Cabinets

MODELS:

- | | | |
|------------------------------------|-------------------------------------|--------------------------------|
| <input type="checkbox"/> VSC2436-3 | <input type="checkbox"/> VSCS2436-3 | <input type="checkbox"/> VSC36 |
| <input type="checkbox"/> VSC2448-3 | <input type="checkbox"/> VSCS2448-3 | <input type="checkbox"/> VSC48 |
| <input type="checkbox"/> VSC2436-4 | <input type="checkbox"/> VSCS2436-4 | |
| <input type="checkbox"/> VSC2448-4 | <input type="checkbox"/> VSCS2448-4 | |

Design and Construction Features

- Features 18 gauge type 430 stainless steel cabinet body.
- Shelves adjustable on 4" (102mm) vertical centers.
- Double-pan 20 gauge stainless steel hinged doors.
- Transverse rod handles featuring keyed locks.
- All units are 24" (610mm) front-to-back.
- Available in 36" and 48" (914 and 1219mm) lengths.
- Available with flat top or slanted top.
- Custom sizes available.

Certifications / Approvals



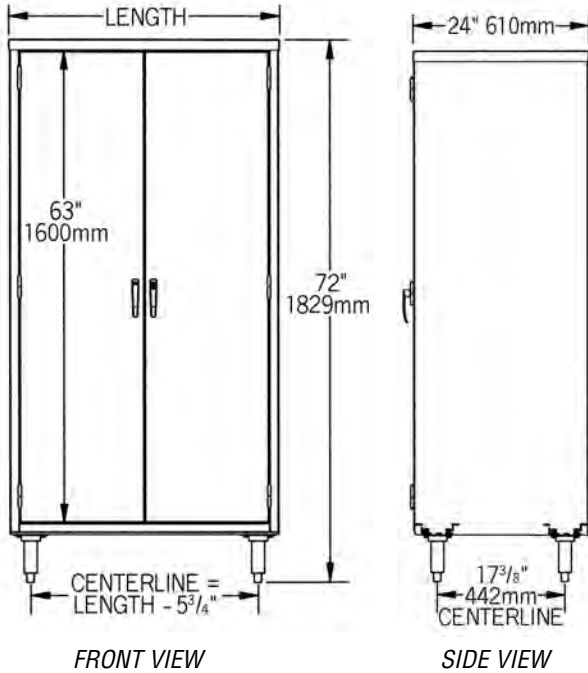


Profit from the Eagle Advantage®

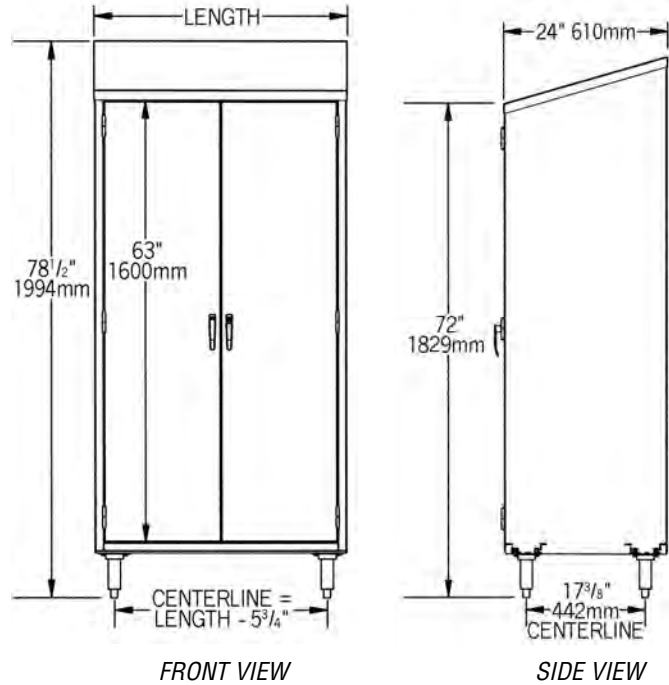
Item No.: _____
 Project No.: _____
 S.I.S. No.: _____

Vertical Storage Cabinets

Units with Flat Top



Units with Slanted Top



Units with Flat Top

Units with Slanted Top

Units with 3 Shelves				Units with 4 Shelves							wt. capacity			
model #	lbs.	kg	weight	model #	lbs.	kg	weight	width	length	per shelf	lbs.	kg		
								in.	mm	in.	mm			
VSC2436-3	413	187.3	VSC2436-4	416	188.7	VSCS2436-3	416	188.7	24"	610	36"	914	150	68.0
VSC2448-3	485	220.0	VSC2448-4	490	222.3	VSCS2448-3	488	221.4	24"	610	48"	1219	200	90.7

Optional Additional Shelves

model #	description	weight	
		lbs.	kg
VSC36	fits 36" (914mm) long cabinets	25	11.3
VSC48	fits 48" (1219mm) long cabinets	30	13.6

EAGLE GROUP
 100 Industrial Boulevard, Clayton, DE 19938-8903 USA
 Phone: 302-653-3000 • Fax: 302-653-2065
 www.eaglegrp.com

Foodservice Division: Phone 800-441-8440
 MHC/Retail Display Divisions: Phone 800-637-5100

Printed in U.S.A.
 ©2011 by Eagle Group

Rev. 09/11

Spec sheets available for viewing, printing or downloading from our online literature library at www.eaglegrp.com

Although every attempt has been made to ensure the accuracy of the information provided, we cannot be held responsible for typographical or printing errors. Information and specifications are subject to change without notice. Please confirm at time of order.